

BMPSN6 Series

Features	
Design	Pneumatically actuated pinch valve
Sealing principle	Elastic lip seal
Mounting position	Any
Type of mounting	In-line installation
Direction of flow	Reversible
Valve function	2/2 way, normally open
Reset method	Rebound resilience
Nominal pressure	PN10
Sleeve feature	Replaceable



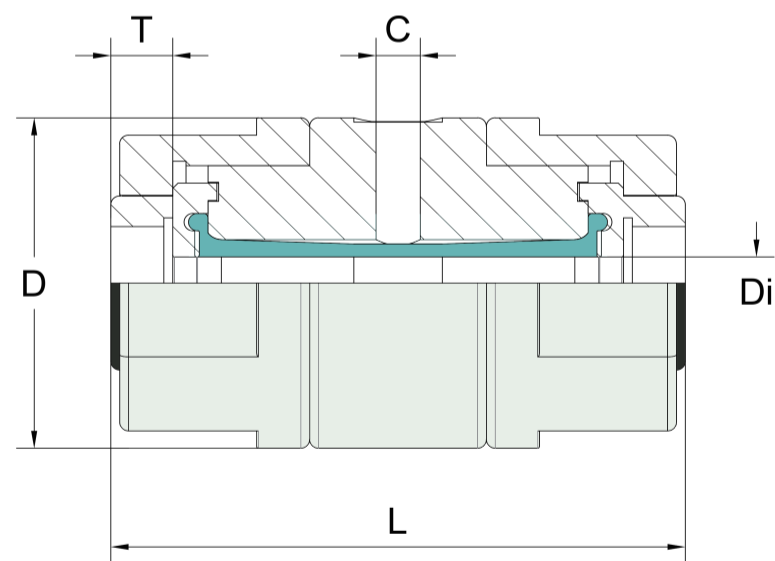
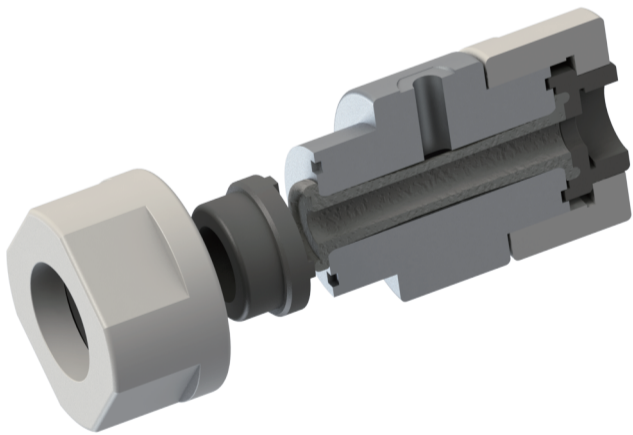
Technical data	
Housing	POM, aluminum alloy, stainless steel
Socket	POM, stainless steel
Seal or sleeve	EPDM, NBR, HNBR, VITON, SILICON RUBBER.....
Working temperature [°C]	-20.....+180
Medium pressure [bar]	0.....4
Pressure difference [bar]	1.....3
Optimum control pressure	Medium pressure+Pressure difference

Advantage

- * Compact design
- * Free passage
- * No plugging
- * 100% shut off
- * Easy maintenance
- * Quick open-close
- * Low pressure difference
- * Anti-corrosive

Application

- For Pneumatic convey system
- * High corrosive medium: sea water, acetone, gas, acid, alkali, etc.



DN (mm)	Di (mm)	G (Inch)	L (mm)	D (mm)	T (mm)	C	Vol.l	Weight KG
6	6*4	1/4"	65	38	7	M5	0.01	0.05